

Feature -

1A, 30 V DC for Power
2 poles & 4 poles circuitry

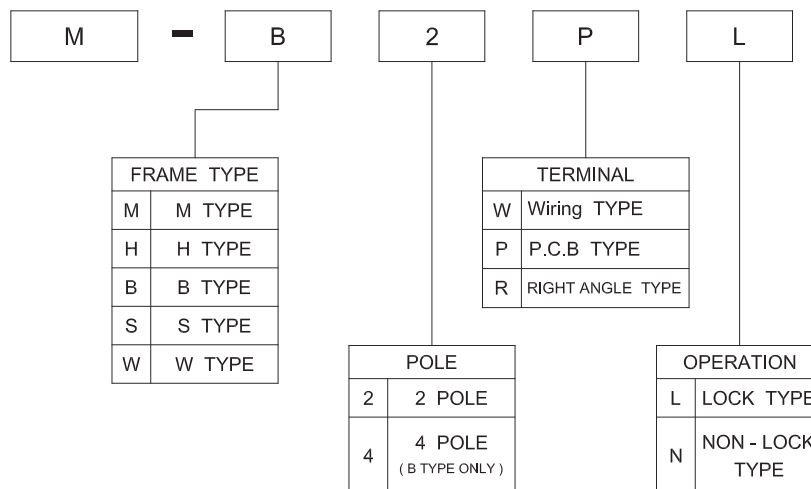
Application -

home electronic equipment
industrial electronic equipments
audio system
ADSL modem
wireless AP

► SPECIFICATIONS

SWITCH SPECIFICATIONS	
POLE - POSITION	1P2T , 2P2T , 4P2T , Momentary and Lock Type are available
CONTACT RATING	30 V DC , 0.3 A 30 V DC , 1 A
CONTACT RESISTANCE	50 mΩ MAX. 1.5 V DC ; 100 mA , by Method of Voltage DROP
INSULATION RESISTANCE	100 MΩ MIN. 500 V DC
DIELECTRIC STRENGTH	Breakdown is not Allowable ; 500 V AC for 1 Minute
OPERATING FORCE	450 ± 150gf
OPERATING LIFE	10,000 cycles
OPERATING TEMPERATURE RANGE	-20°C ~ 70°C
TOTAL TRAVEL	3.5 ± 0.3 mm

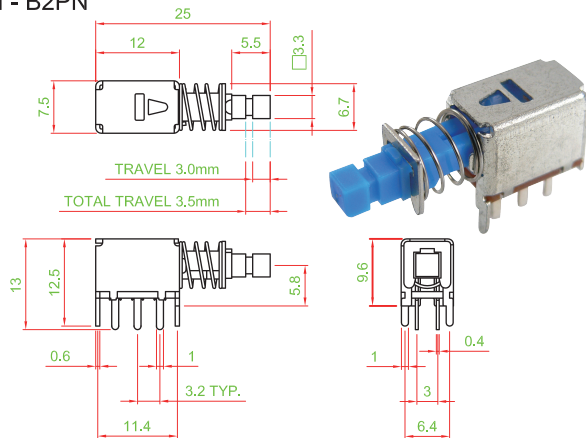
► HOW TO ORDER



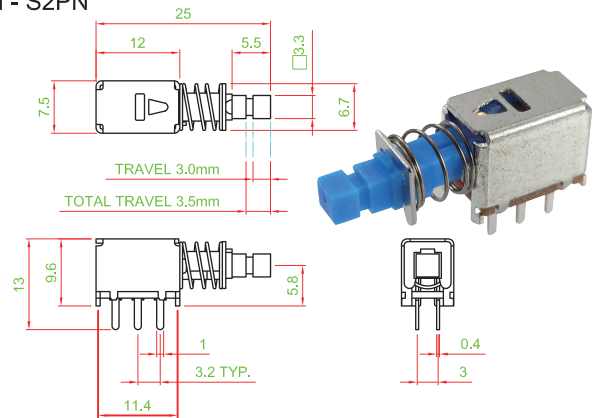
► FRAME TYPE & TERMINAL TYPE

M TYPE	H TYPE	B TYPE	
S TYPE	W TYPE	TERMINAL TYPE	
		W TYPE	P TYPE

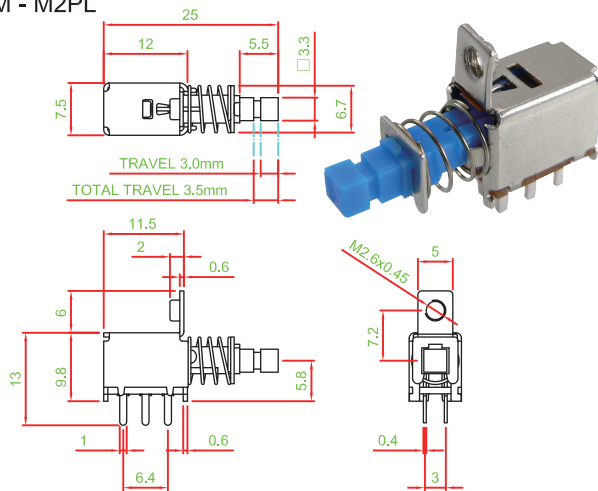
M - B2PN



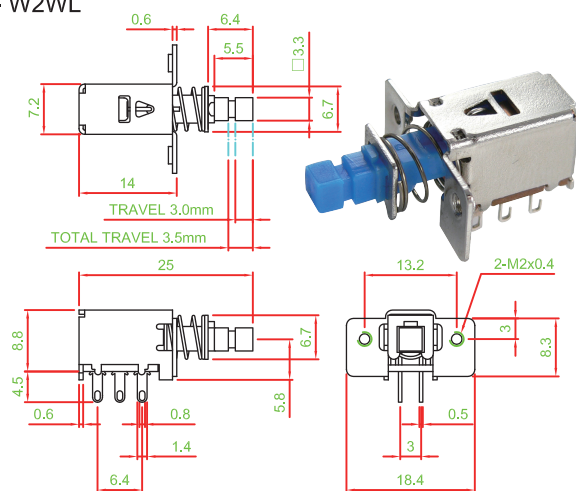
M - S2PN



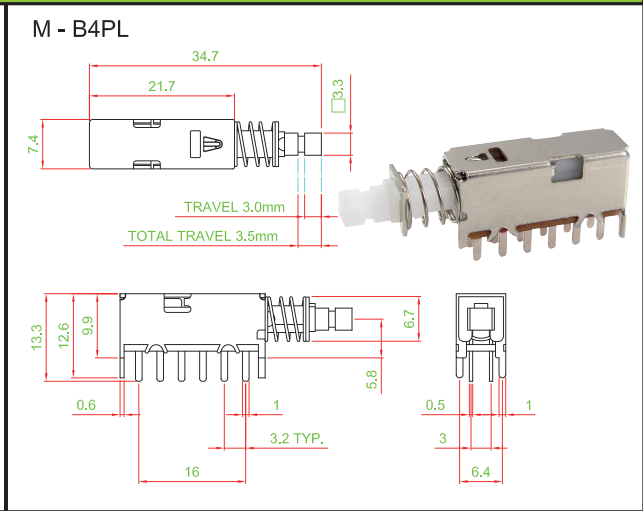
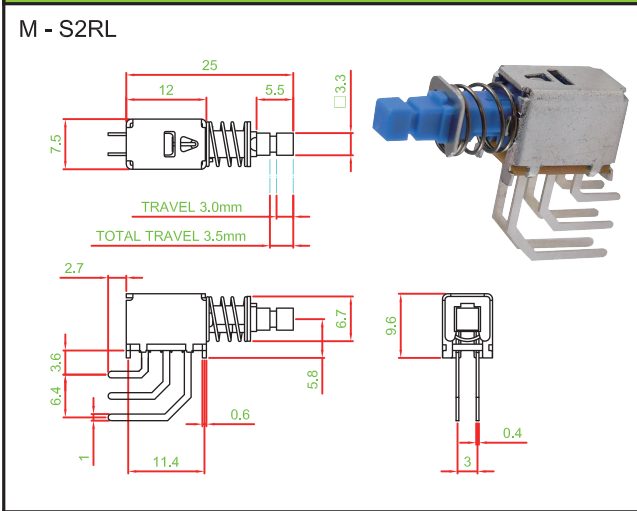
M - M2PL



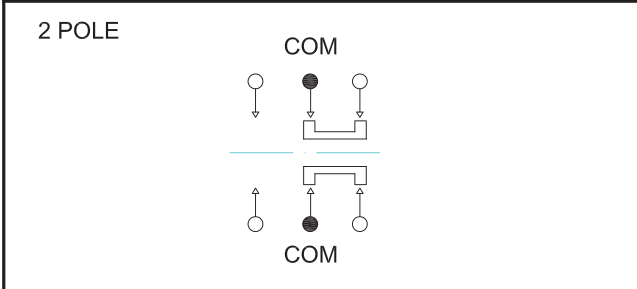
M - W2WL



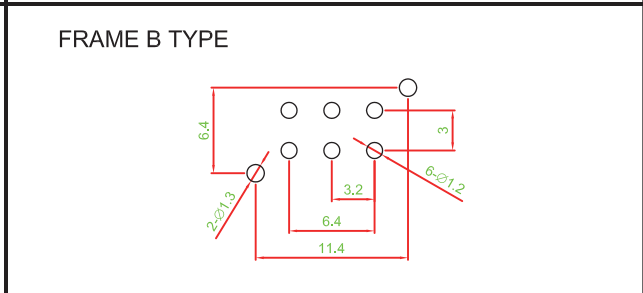
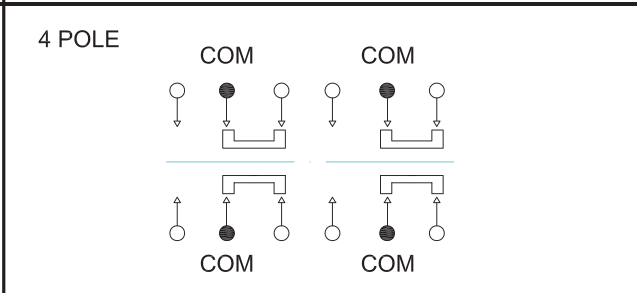
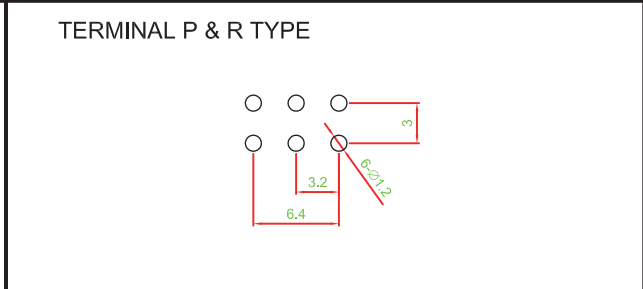
► DIMENSION



► CIRCUIT



► P.C.B LAYOUT



► MATERIAL

- ACTUATOR : PA + GF
- TERMINAL : BRONZE SILVER PLATING
- FRAME : STEEL PLATE , TIN PLATING
- SPRING : STAINLESS STEEL

